

HPAI Impact on Dairy

August 2024

Tim Stevenson, DVM, PhD,

Adam Buuck, MPH, CPH

Consumer Protection Division

Texas Department of State Health Services

Outline

- **HPAI Impact on Dairies**
- **State and Federal actions**
- **Q & A**





TEXAS
Health and Human
Services

Texas Department of State
Health Services



TEXAS
Health and Human
Services

Texas Department of State
Health Services



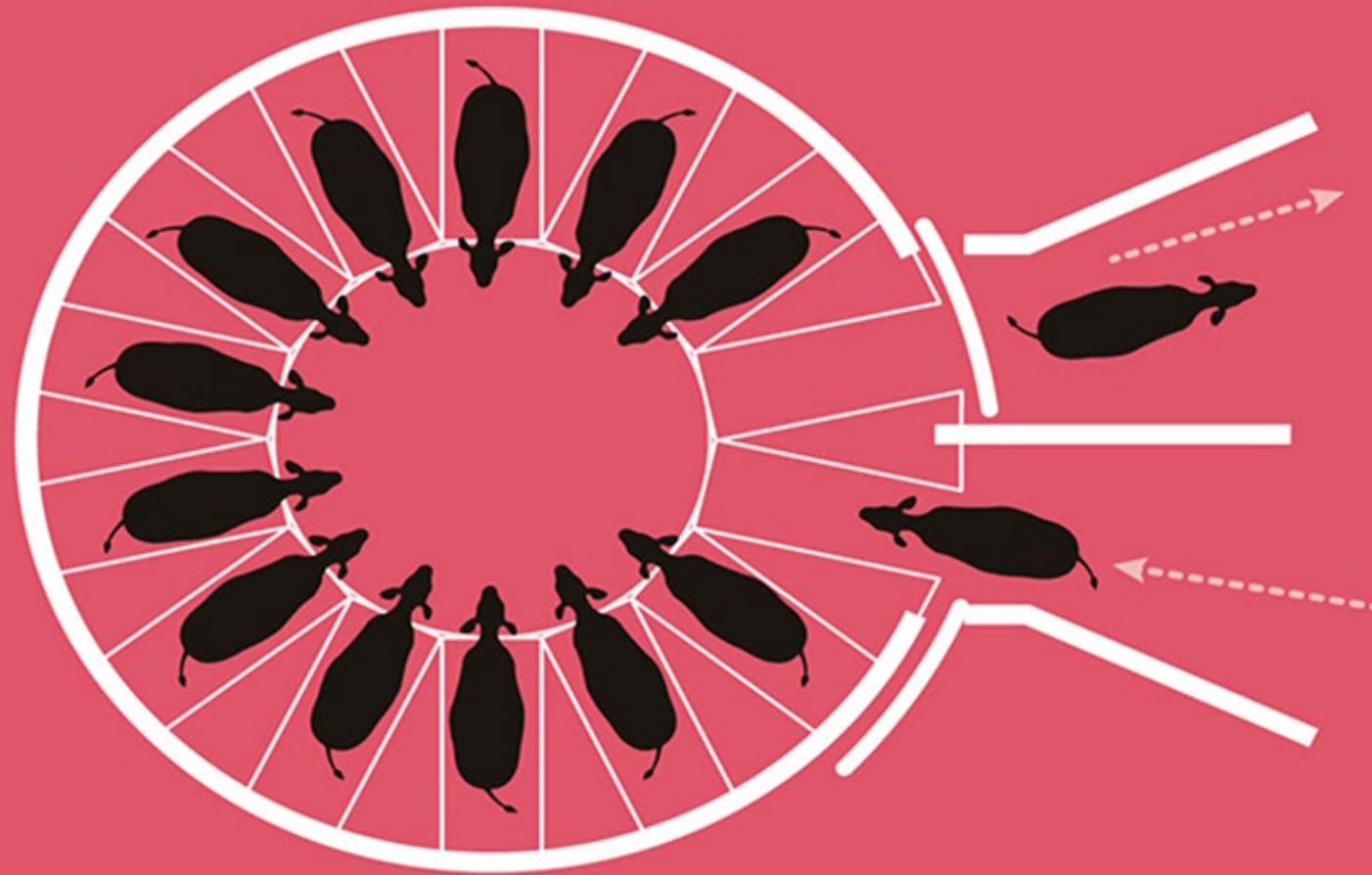
TEXAS
Health and Human
Services

Texas Department of State
Health Services



TEXAS
Health and Human
Services

Texas Department of State
Health Services



ROTARY PARLOR



TEXAS
Health and Human
Services

Texas Department of State
Health Services



TEXAS
Health and Human
Services

Texas Department of State
Health Services





TEXAS
Health and Human
Services

Texas Department of State
Health Services



TEXAS
Health and Human
Services

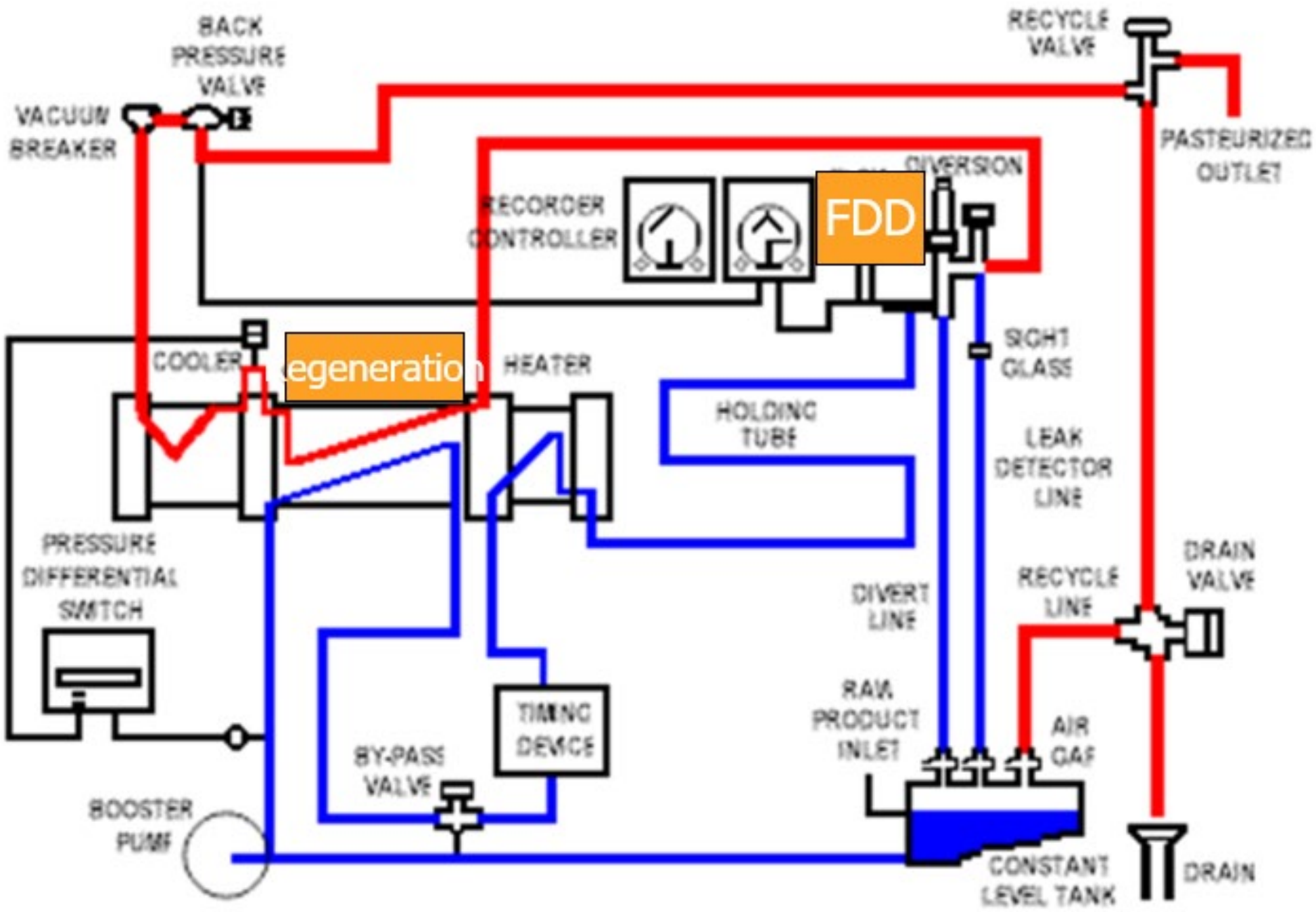
Texas Department of State
Health Services



TEXAS
Health and Human
Services

Texas Department of State
Health Services





TEXAS
Health and Human
Services

Texas Department of State
Health Services



TEXAS
Health and Human
Services

Texas Department of State
Health Services

Say Cheese! 😊



TEXAS
Health and Human
Services

Texas Department of State
Health Services